

LEISTER Vulcan E

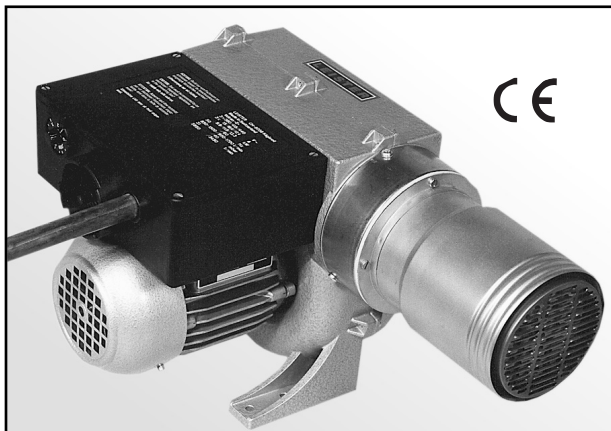
High Pressure Hot Air Blower



Please read operating instructions carefully before use and keep for further reference.

APPLICATION

- The LEISTER hot air blower Vulcan «E» is suitable for building into machines, installations and appliances and is designed for continuous operation.
- **Drying and heating processes** of various types.
- **Heating** conveyor ovens or heat tunnels.
- **De-icing** the runway of a crane and sewage works as well as surface areas, joints, rails and cables etc.
- **Speeding up** mixing processes and **dissolving** foams which can arise during mixing and filling containers.
- **Sterilizing** of packaging materials such as bottles, corks and containers.
- **Activating and loosening** solvent free adhesives and melt adhesives.
- **Separating and fusing** synthetic fibres and fabrics.
- **Shrinking** of heat-shrink sleeves, films, tapes, solder sleeves and moulded parts.
- **Soldering** copper pipes, solder joints and metal foils.
- **Removing** plastic mould flash and putting a **shine** on plastic surfaces.
- **Welding** of thermoplastic materials.
- **Igniting** wood shavings, paper, coal or straw in furnaces.





WARNING



Danger! Unplug the tool before opening it, as live components and connections are exposed.



Incorrect use of hot air tools can present a **fire and explosion hazard**, particularly in the proximity of flammable materials and explosive gases.



Danger of getting burned! Do not touch the heater tube and nozzle when they are hot. Let the tool cool down. Do not point the hot air flow in the direction of people or animals.



CAUTION



The **rated voltage** stated on the tool must correspond with the mains voltage.



For personal protection, we strongly recommend the tool to be connected to an **RCCB** (Residual Current Circuit Breaker) before using it on construction sites.



The tool must be operated **under supervision**. Heat can ignite flammable materials which are not in view.



Protect the tool **from damp and wet**.

TEST SIGNS



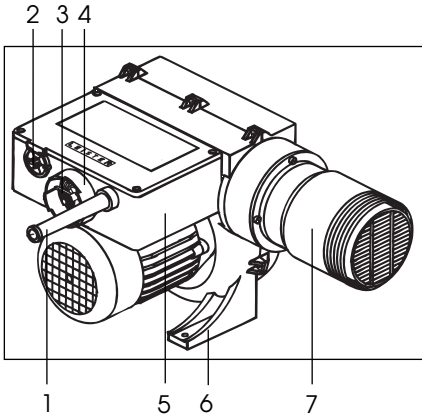
The tool is **CCA** certificated (**C**enelic **C**ertification **A**greement).

TECHNICAL DATA

Voltage	V~	3 x 220–230	3 x 380–440
Capacity	W	10	10–13,5
Temperature	°C	650	650
Frequency	Hz	50 / 60	50 / 60
Air flow	l/min. (20°C)	850 / 1500	950 / 1700
Air pressure	Pa	3100 / 4000	
Noise level	dB (A)	65	
Weight	kg	9.3	
Size	mm	384 x 254 x 231	

1 mbar = 100 Pa

Description of tool

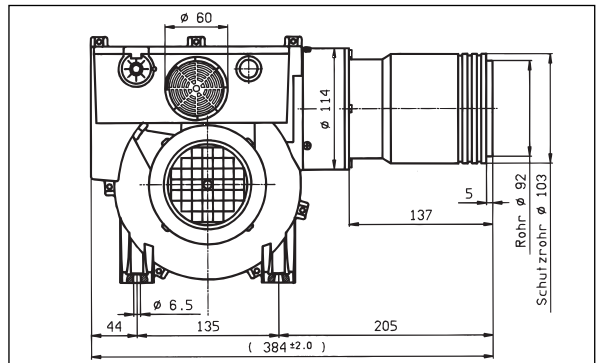
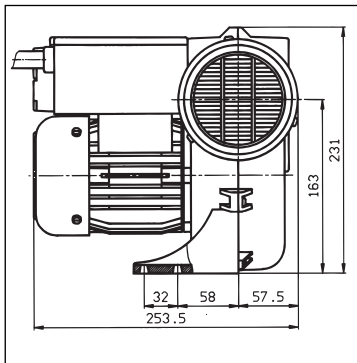


1. Strain relief bushing for cord to mains
2. Potentiometer for temperature control
3. Air slide
4. Air intake
5. Connection box
6. Installation stand
7. Element housing with protective tube

Installation

- The tool should be fixed by using four M6 screws on the **installation stand (6)**.
- When installing the tool, make sure that
 - only cold air is sucked in
 - no air is sucked in from the hot air tool
 - no (warm air) back pressure develops
 - the hot air tool is not in direct line of the hot air flow from another hot air tool.
- For use in a dusty environment the tool should be fitted with a LEISTER stainless steel filter on the **air intake connection (4)**. Where a particularly critical dust problem exists (eg metal, electrically charged or damp dust) special filters must be used to avoid short circuiting the tool.
- Protect the tool from vibration and shock.

- Installation dimensions in mm.



Operation

- Connect tool to the mains.
- The mains connection cord should have the corresponding cross section area of conductor and should be fitted by an electric engineer.
- As required, push-fit appropriate nozzle or reflector.
- As required, reduce the air flow with the **air slide (3)**.
- Adjust the hot air temperature via the **potentiometer (2)**.
- The LEISTER Company, as well as the authorized Sales and Service Centres, offer advice and an introduction to the areas of application of hot air tools, free of charge (see page 1).
- After use, set **potentiometer (2)** to zero and let the tool cool down by letting cold air flow through it (preventing warm air back pressure).

CAUTION:

- * *The mains connection must have a device for disconnect all poles from the mains with a **3 mm distance between contacts**.*

ACCESSORIES

- Only LEISTER nozzles and reflectors must be used.
- Let the tool cool down before changing the nozzle or reflector.

SPECIAL FEATURES

- Temperature adjustment with external potentiometer.
- Temperature control signal with external control voltage (VDC).
- Temperature control with additional LEISTER cascade controller (KSR) should only be fitted and adjusted by the LEISTER Company.

SERVICE AND REPAIR

- Repairs should only be carried out by authorised **LEISTER Service Centres**. They guarantee a correct and reliable **repair service within 24 hours** using original spare parts in accordance with the circuit diagrams and spare parts lists.

GUARANTEE AND LIABILITY

- Guarantee and liability are in accordance with the guarantee certificate as well as with the currently valid general business and sales conditions.
- LEISTER Process Technologies rejects any guarantee claims for tools which are not in their original condition. The tools must never be altered or changed.

Technical data and specifications are subject to change without prior notice.

Your authorized Service Centre is:

LEISTER Process Technologies, Riedstrasse, CH-6060 Sarnen / Switzerland
Tel. +41 41 662 74 74 Fax +41 41 662 74 16 www.leister.com sales@leister.com